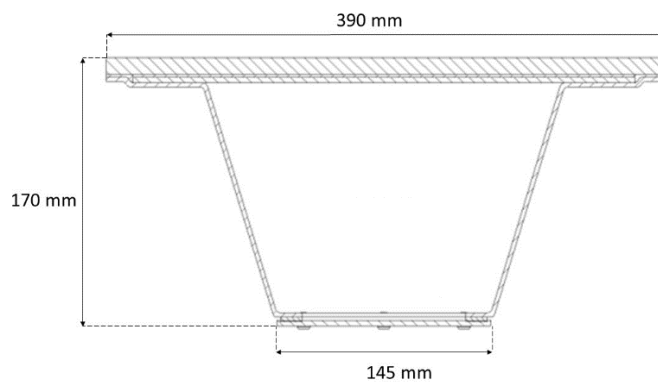


E-ONYX STUD

DATASHEET



DESCRIPTION

Solar outdoor lighting fixture connected with Led.

Built-in stainless steel.

12 mm screen printed tempered glass.

Battery LiFePO4 18 Ah 3,2V.

Solar panel Sunpower Back Contact.

Weight: 8 kg.

Dimensions: H x D = 170 x 390 mm.

Charging temperatures: - 10°C / + 60°C.

Battery's operating temperature: - 30°C / + 85°C.

Class III - IP 67 - IK 08 - CE.

Algorithmic management by microprocessor with a guarantee of:

- A charge management and computation of an optimal power all year-round considering latitude, season and weather conditions, with MPPT technology.
 - Battery discharge management in order to guarantee the operating time of 365 nights per year.
 - Management of the battery's operating temperature for an increased lifespan.
-

Bluetooth connection to remotely control the product via the Nowatt application:

- ON/OFF function of the device.
 - Setting of the light intensity.
 - Setting of the lighting scenario.
-

LEDS

Choice of:

- 3000 K,
 - 4000 K.
 - RGBW.
-

BATTERY

Cycles	DOD (en %)	Lifespan (in years)
2000	100	5
3000	80	8
8000	55	22

OPTIQUES

Optic diameter 32 mm symmetrical, rotating to 12°.

Optic angles:

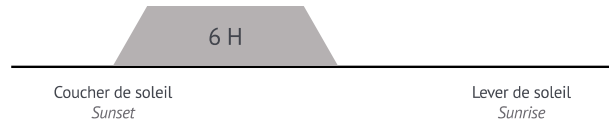
- 10°
- 23°
- 32°
- 11°
- 16°
- 22°
- 32°
- 55°

**SCENARIOS
LIGHTING DURATION****Scenario on demand**

Reminder standard scenarios:

Scenario 1

6 hours lighting from sunset.

**Scenario 2**

4 hours lighting from sunset.
2 hours lighting before sunrise.



NOWATT app available on :

**WARRANTY**

Product guaranteed for two years in accordance with the warranties of the French lighting union.