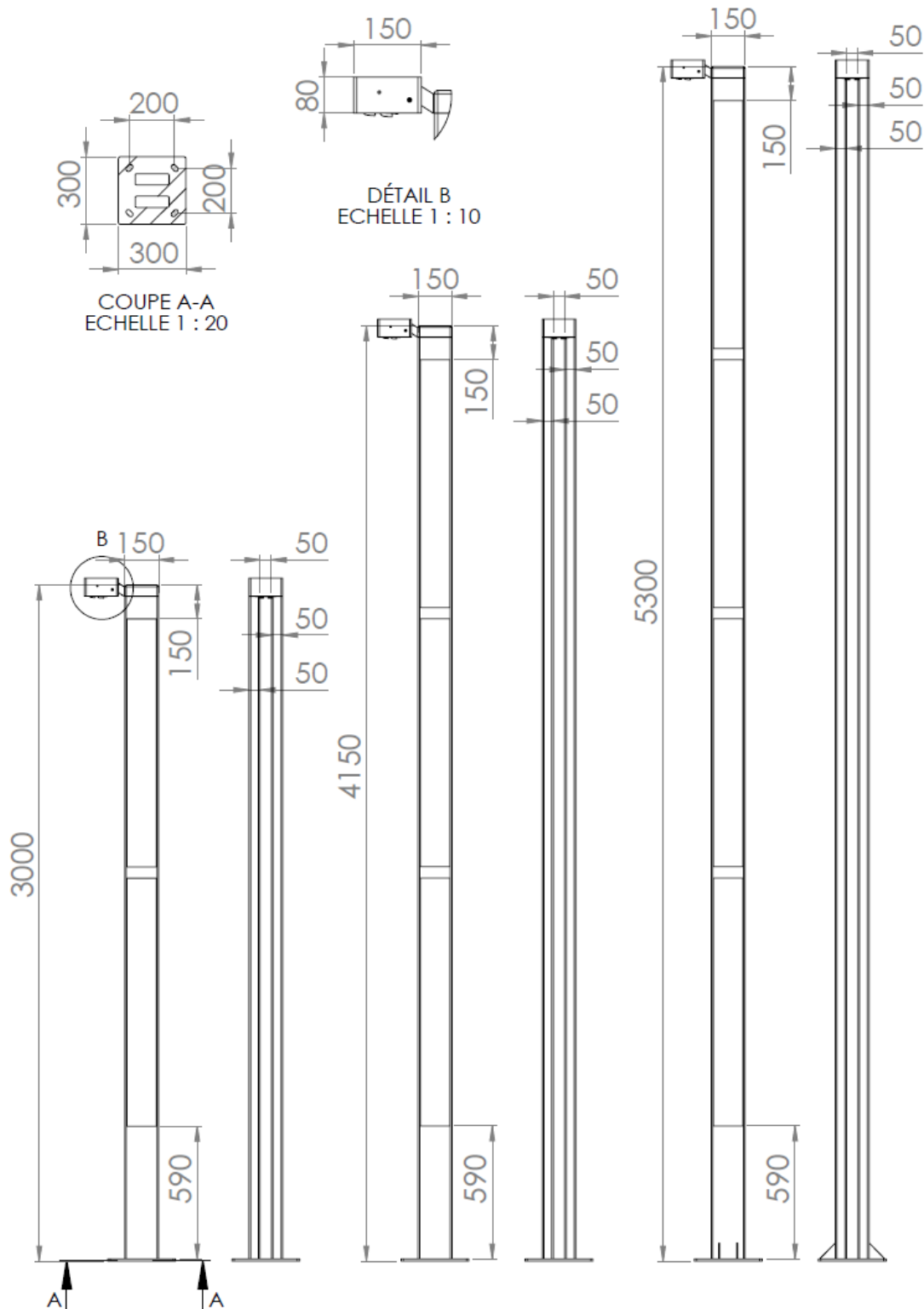


ONYX COLUMN

3 to 5 meters

DATA SHEET



DESCRIPTIF

Solar outdoor lighting fixture connected with Led.
Built in galvanized steel with paint finish polyester powder coated.
Battery LiFePO4.
Solar cells Sunpower Back Contact.
Charging temperatures: - 10°C / + 60°C.
Battery's operating temperatures: - 30°C / + 85°C.
Class III - IP 67 for the lantern - IP 55 for the column - IK 07 - CE.

Onyx Column	Weight	Dimensions of the column
3 meters	75 kg	3000 x 150 x 150 mm
4 meters	95 kg	4150 x 150 x 150 mm
5 meters	115 kg	5300 x 150 x 150 mm

Options:

- Bidirectional motion sensor.
- Bidirectional motion sensor + light wave.

Algorithmic management by microprocessor with a guarantee of:

- The charge management and computation of an optimal power all year-round considering latitude, season, and weather condition, with MPPT.
- Management of battery operating temperatures for extended battery lifespan.
- Battery's discharge management to guarantee the operating time 365 nights per year.



LEDS

Choice of Leds:

- 2200 K,
- 2700 K,
- 3000 K,
- 4000 K.

OPTICS

3 optics available depending on the width of the path to enlighten and the height of the column wished.

- Optic 10: if Width of the path > Height of the column,
- Optic 11: if Width of the path = Height of the column,
- Optic 12: if Width of the path < Height of the column.

BATTERY

Onyx Column	Battery LiFePO4
3 meters	7,6 Ah – 19,2 V
4 meters	11,4 Ah – 19,2 V
5 meters	15,2 Ah – 19,2 V

Cycles	DOD (in %)	Lifespan (in years)
2000	100	5
3000	80	8
8000	55	22

SCENARIOS

The application allows to define the operating mode and time.

NOWATT application available on:

**FRAME COLORS**

GRAPHITE
INTERPON FUTURA BLACK
2100 SAND BLASTED
CODE YW359 F

OTHER COLORS ON DEMAND

WARRANTY

Product guaranteed for two years in accordance with the warranties of the French lighting union.

INSTALLATION

Information given for reference purposes only.

Make a solid concrete block with sealing rods.

The sealing rods are not supplied.

Height of the Onyx Column	3 et 4 meters	5 meters
Dimensions of the concrete block (side x side x height)	500 x 500 x 600 mm	500 x 500 x 700 mm
Distance between the rods	200 mm	
Rods' diameters	18 L 400	

