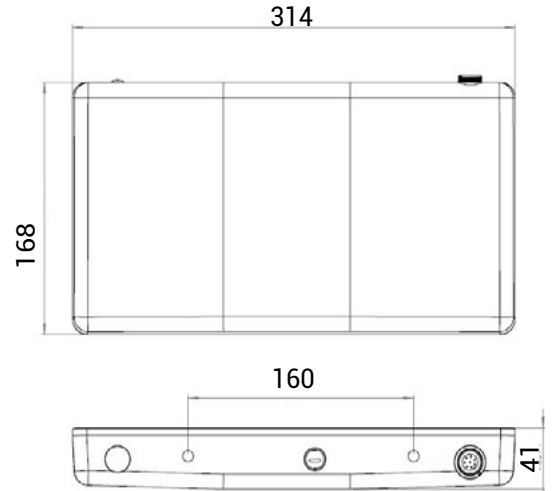
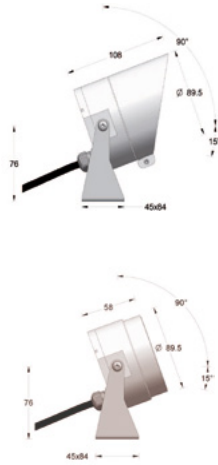


E-ONYX POWER WITH PROJECTOR

DATASHEET



PRODUCT SPECIFICATION

- . Solar autonomous powering fixture.
- . Led projector in anodized aluminum on bracket.
- . Body-dyed molded polyurethane frame.
- . Battery LiFePO4 20 Ah.
- . Solar panel Sunpower Back Contact with MPPT.
- . 8-wire connection cable IP 67, length 1.50 m.
- . 2 M6 inserts for fixing the device.
- . Waterproof USB socket.
- . Algorithmic management by microprocessor with a guarantee of a load management and computation of an optimal power all year-round considering latitude, season and weather conditions.

-
- . Charging temperatures:- 10°C / + 60°C.
 - . Battery's operating temperature:- 30°C / + 85°C.
 - . Weight: 3 kg.
 - . Dimensions: 314 x 168 x 41 mm.
 - . Options:
 - Other colours on demand.
 - Scenario on demand.
 - . Class III- IP67 - IK07- CE.

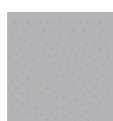
-
- . Bluetooth connection to remotely control the product via the Nowatt application:
 - ON/OFF function of the device.
 - Setting of the lighting scenario.

CE IK IP

BATTERY

Battery LiFePO4 20 Ah		
Cycles	DOD (in %)	Lifespan (in years)
2000	100	5
3000	80	8
8000	55	22

FRAME COLOUR



SILVER

INTERPON D2525 STRUCTURA 2100
SAND-BLASTED
CODE Y2329F



GRAPHITE

INTERPON FUTURA BLACK 2100
SAND-BLASTED
CODE YW359F

OTHER COLORS ON DEMAND

SCENARIOS

LIGHTING DURATION

SCENARIO 1

6 hours lighting from sunset.



SCENARIO 2

4 hours lighting from sunset.
2 hours lighting before sunrise.



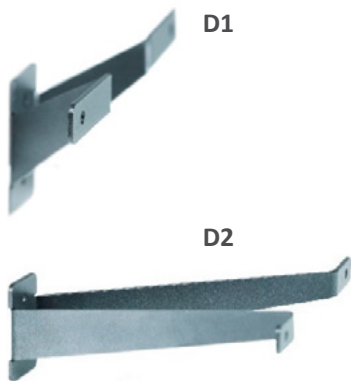
SCENARIO 3

Scenario on demand.

NOWATT application available on:



FASTENING DEVICES



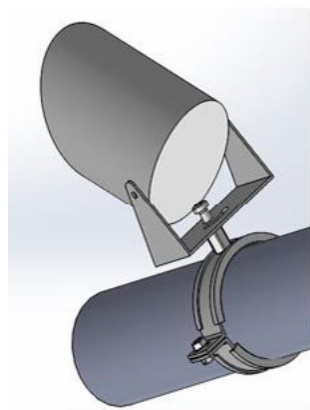
WALL-MOUNTED FASTENING D1 and D2

Steel treated with antioxidation wall bracket, black powder coated polyester finish (Interpon Futura Black 2100 Sand-blasted Code YW359R).
Length 50 mm (D1) or 200 mm (D2).



TOP BRACKET D5 et D6

Bracket for column diameter 60 mm.
Length 50 mm (D5) or 200 mm (D6).
Steel treated with antioxidation, black powder coated polyester finish (Interpon Futura Black 2100 Sand-blasted Code YW359R).



MOUNTING CLAMPS D9

Mounting clamps - tubes supports with antivibration protection.
To screw - Stainless steel 316.
Colour and diameter depending on the project.



WARRANTY

Product guaranteed for two years in accordance with the warranties of the French lighting union.